



TAURUS

IP65 BULKHEAD



Taurus is a low profile, compact bulkhead that is ideal for lighting thresholds or simply providing amenity lighting. Suitable for ceiling or wall mounting, Taurus is available with the option of integral photocell control and microwave presence detector.

Features

- Robust, low profile design
- Supplied with optional removable trim
- Suitable for wall or ceiling mounting
- Photocell and microwave sensor options



Code	Description	Lumen Output	Emergency Lumen Output	Wattage	Efficacy
TA05	Taurus IP65 Bulkhead	460 lm (without trim) / 380 lm (with trim)	-	5W	76 / 92 lm/W
TA05/MS	Taurus IP65 Bulkhead with Microwave Sensor	460 lm (without trim) / 380 lm (with trim)	-	5W	76 / 92 lm/W
TA05/PC	Taurus IP65 Bulkhead with Photocell	460 lm (without trim) / 380 lm (with trim)	-	5W	76 / 92 lm/W



TAURUS

IP65 BULKHEAD

Specification

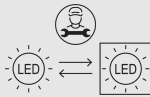
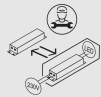
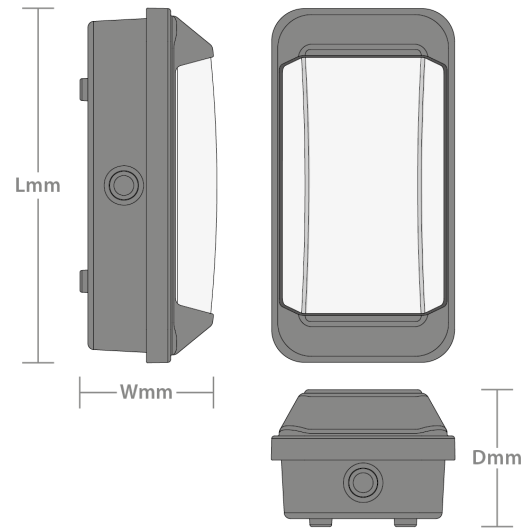
Material:-	Polycarbonate
Guarantee:-	3 Years
Colour Finish:-	Black
Colour Temperature:-	4000K
IK Rating:-	IK08

IP Rating:-	IP65
LED Lifetime:-	L80B50 54,000 Hours
CRI:-	Ra > 80
Working Temperature:-	-10°C to 40°C
Power Factor:-	>0.7

Maximum Fittings Per Circuit

Automatic Circuit Breaker Type:	B6	B10	B13	B16	B20	C10	C13	C16	C20
Rated Current:	6A	10A	13A	16A	20A	10A	13A	16A	20A
Cable (mm):	1.5	1.5	1.5	2.5	2.5	1.5	1.5	2.5	2.5
TA05	165	270	360	440	550	460	600	740	920
TA05/MS & TA05/PC	150	245	345	425	535	445	585	725	905

Dimensions



www.redarrowelectrical.co.uk